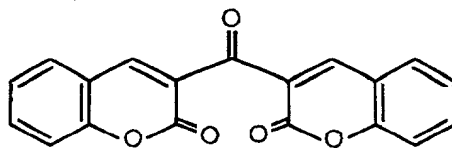
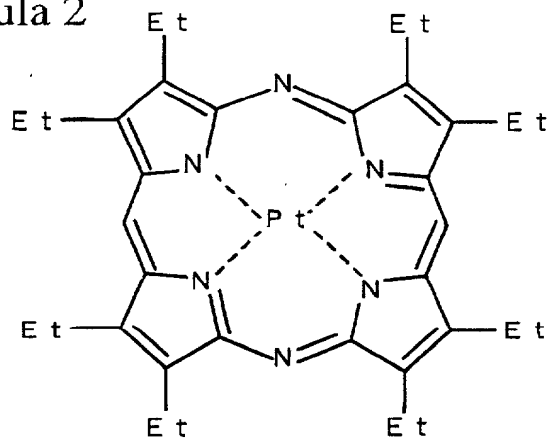


Chemical Formula 1



Chemical Formula 2



Chemical Formula 3

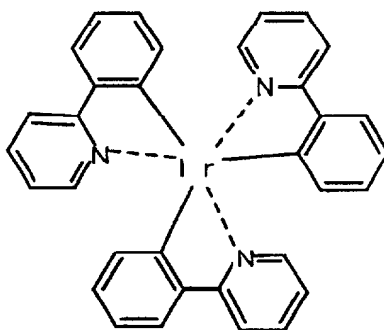


FIG. 10 "5076560"

Fig.1A

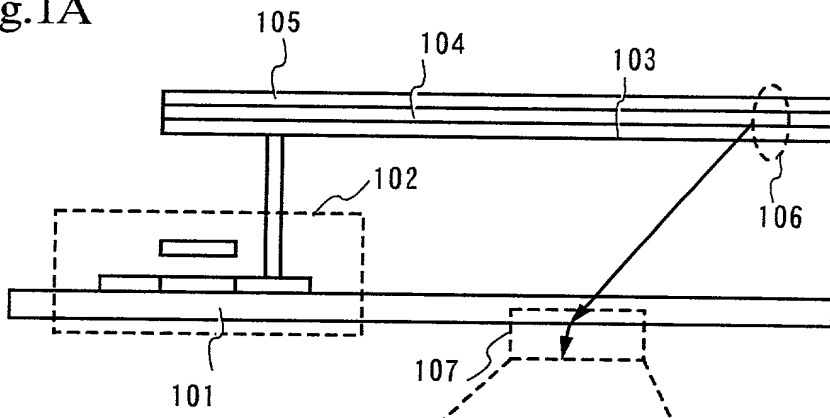


Fig.1B

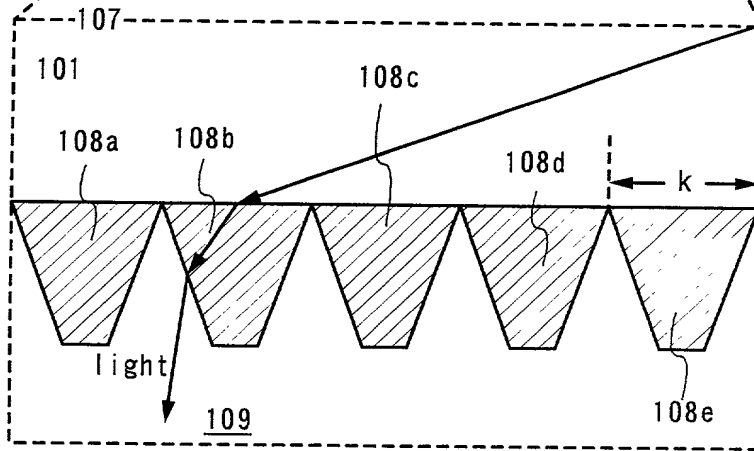


Fig.1C

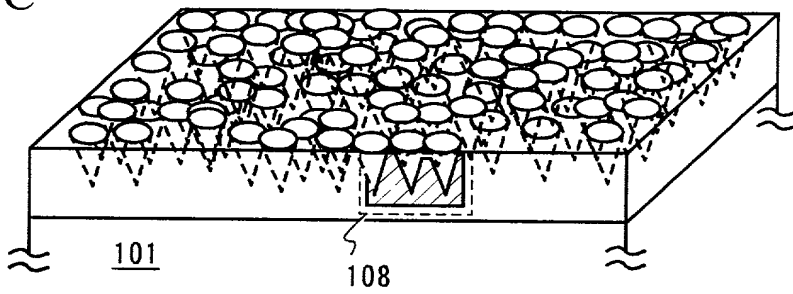
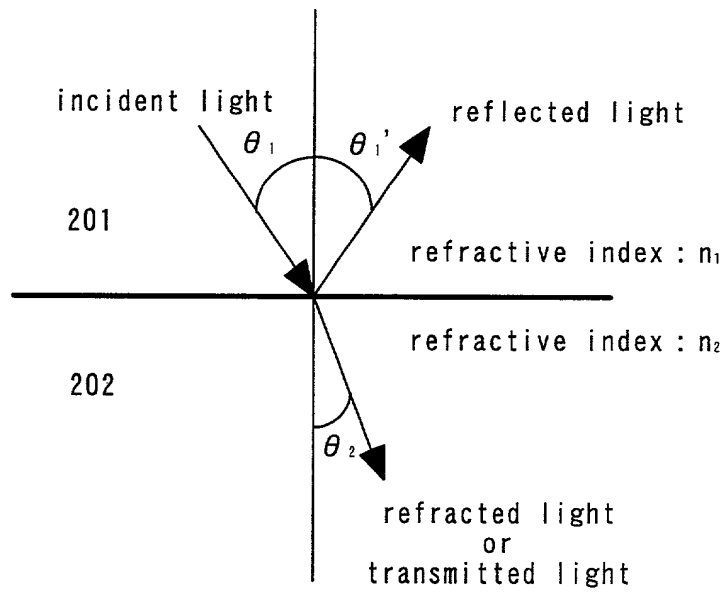


Fig.2



FOR REFERENCE

FOR "SOFT" COPY

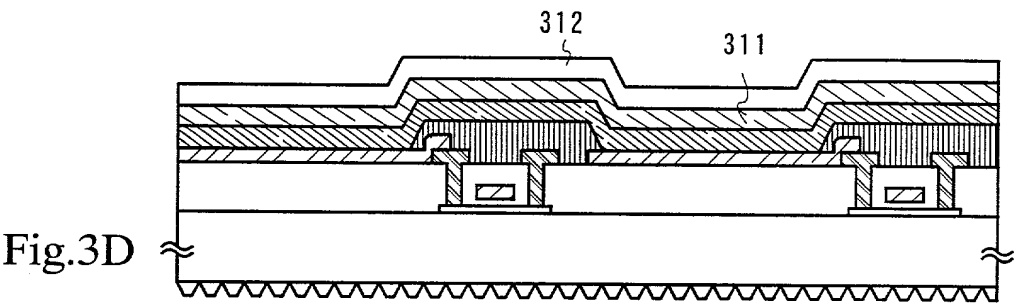
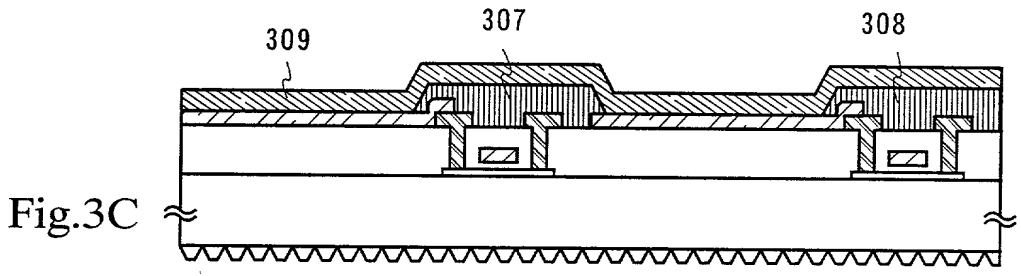
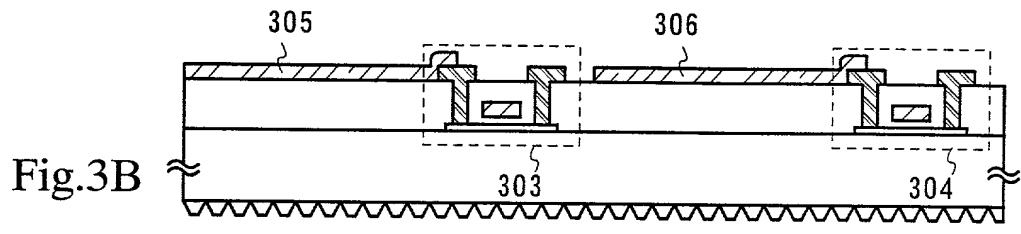
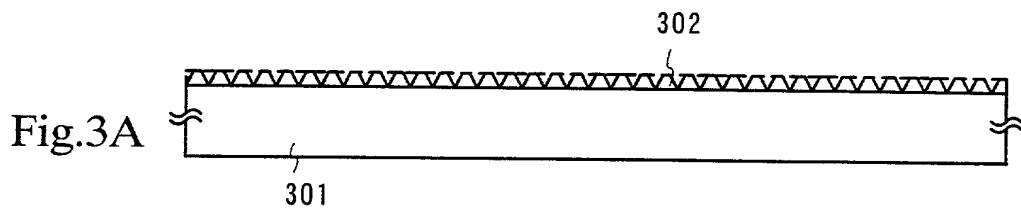


Fig.4A

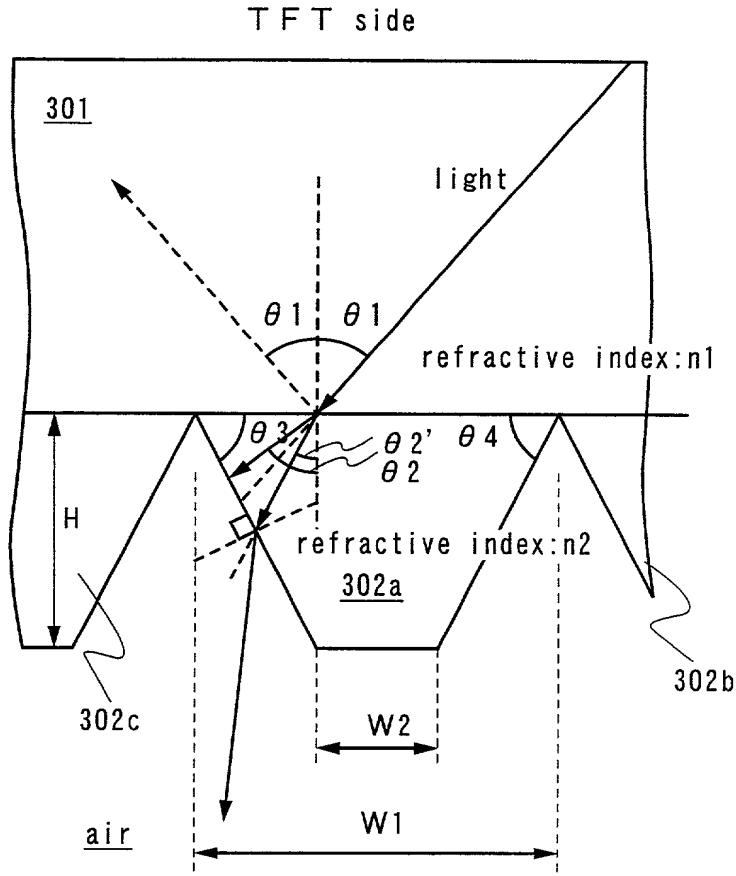


Fig.4B

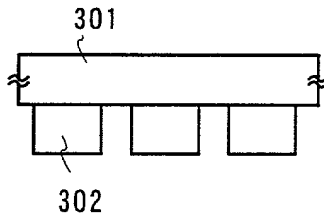


Fig.4E

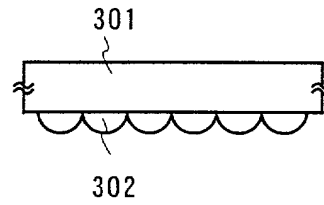


Fig.4C

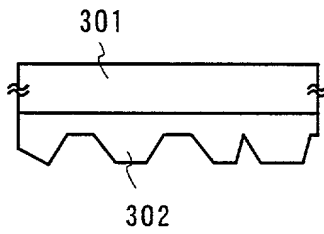


Fig.4F

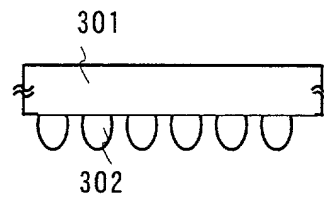


Fig.4D

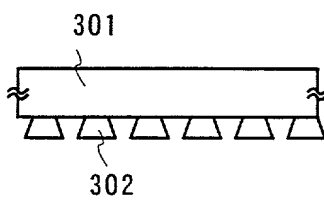
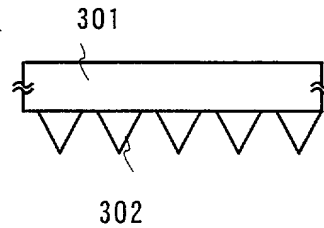
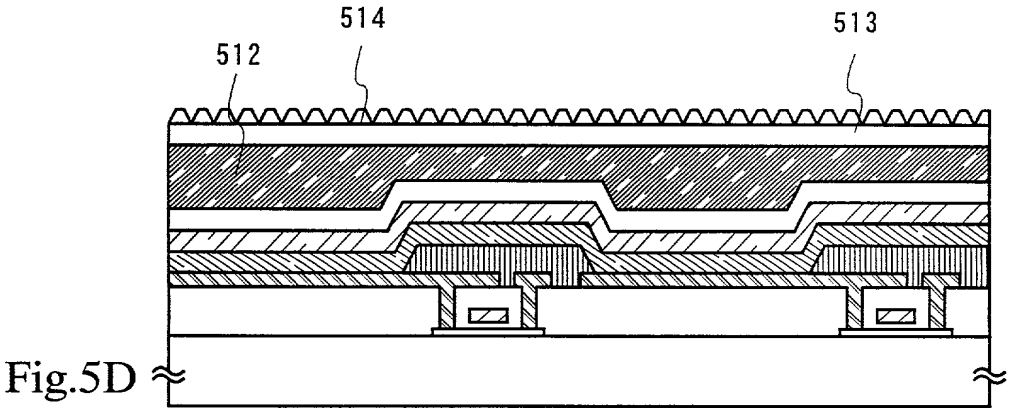
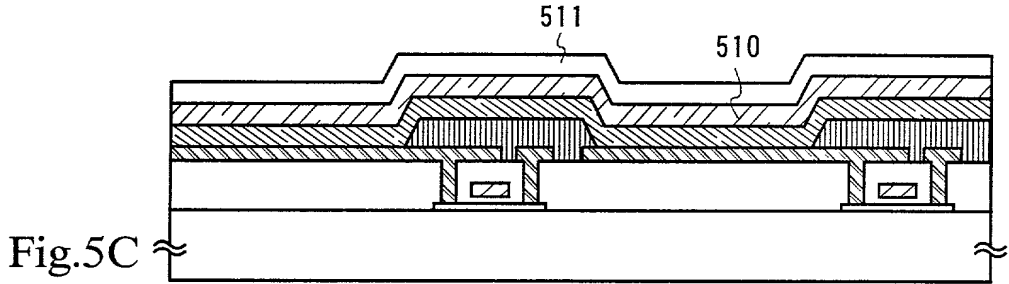
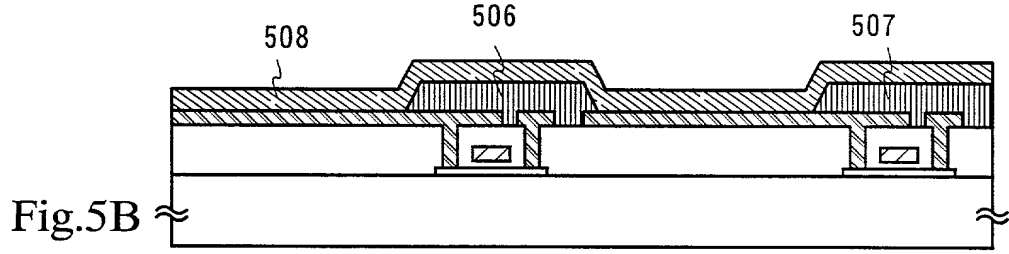
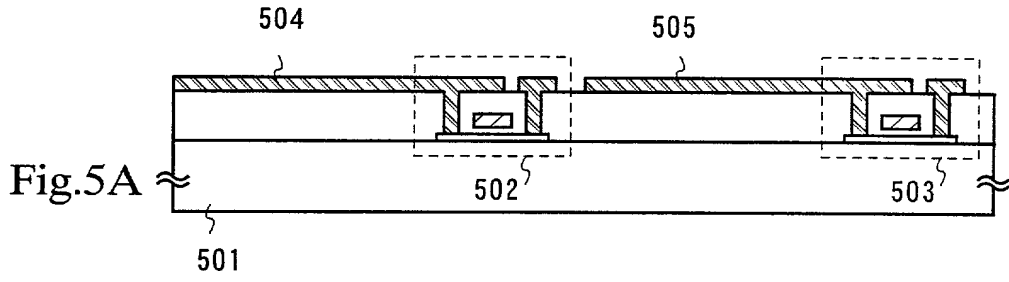
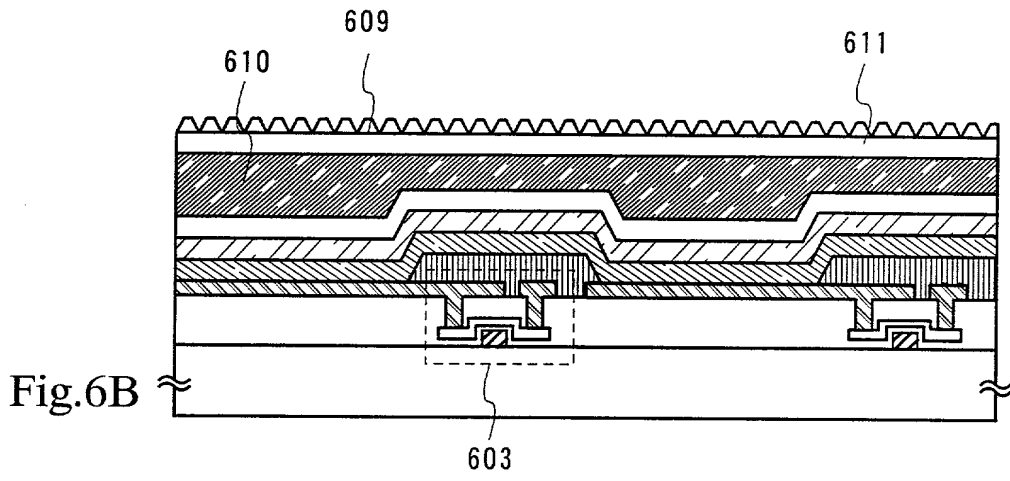
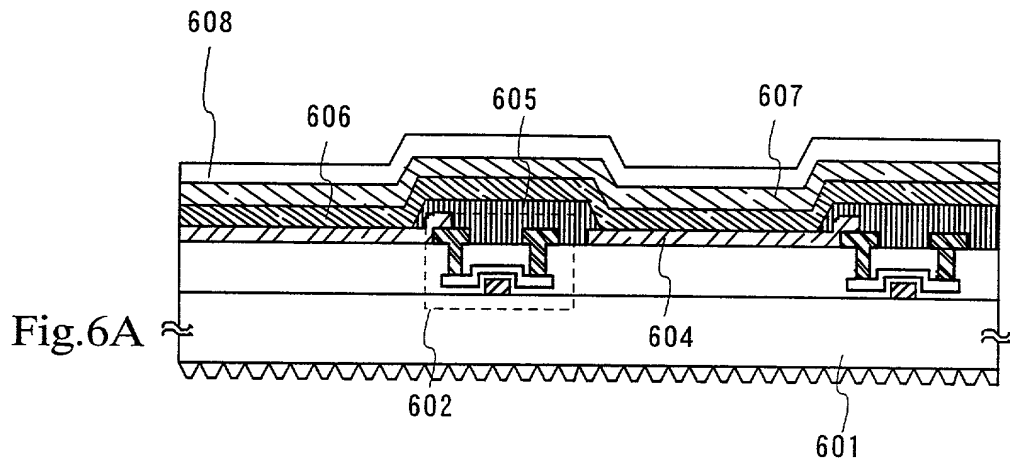


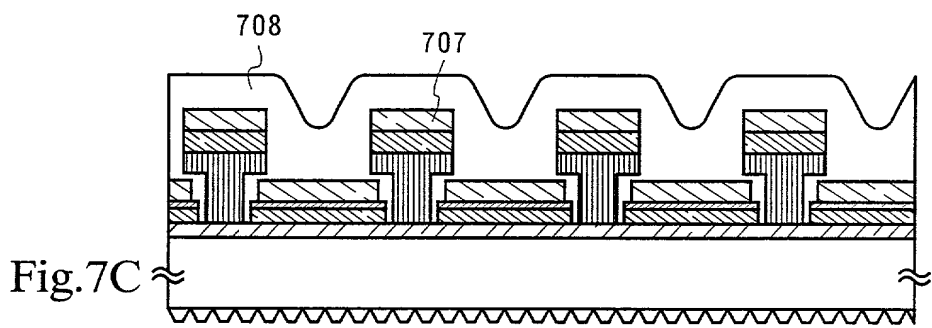
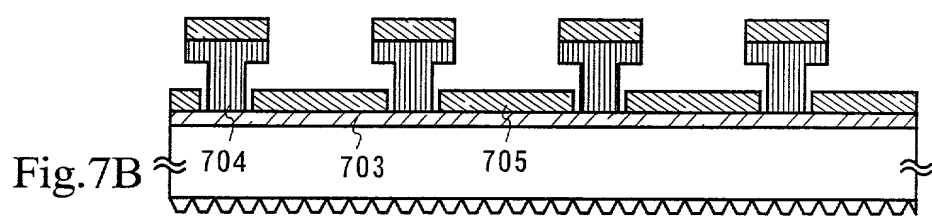
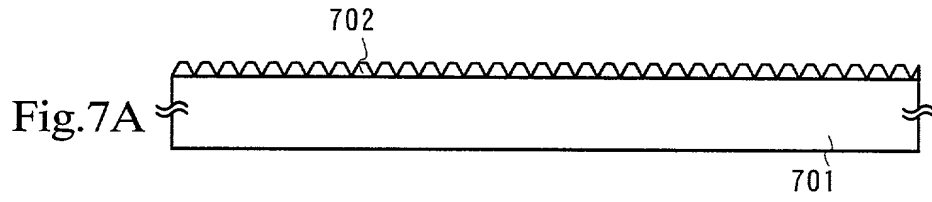
Fig.4G







FOOTNOTES



Pub. No. 507,250



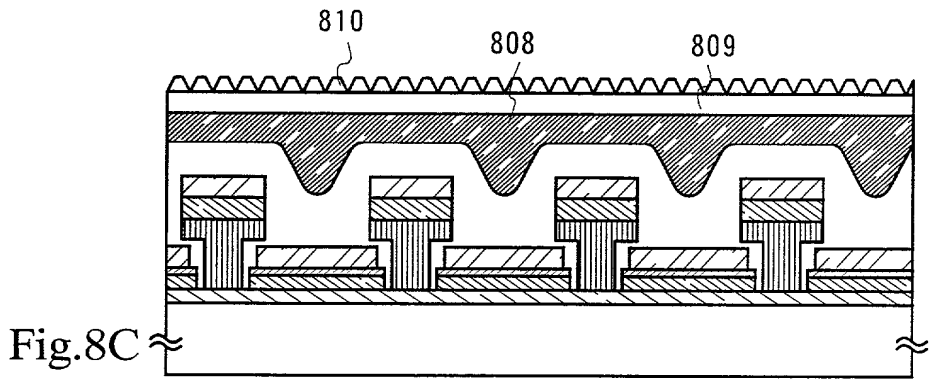
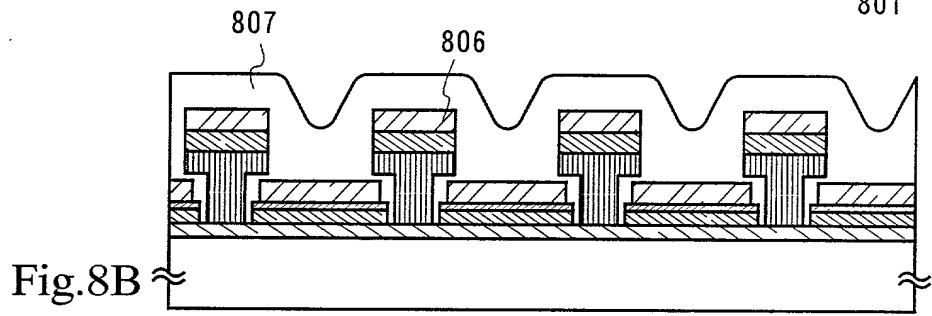
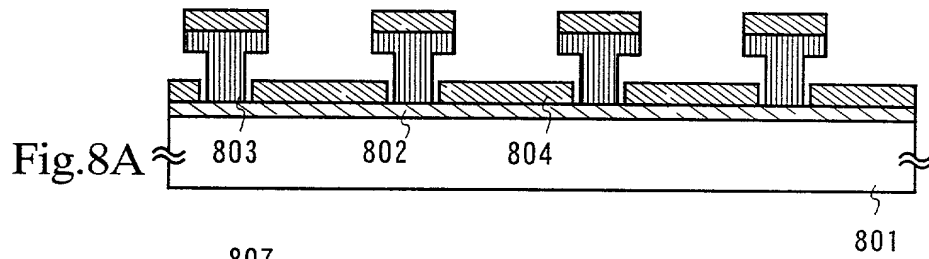


FIG. 8A

Fig.9A

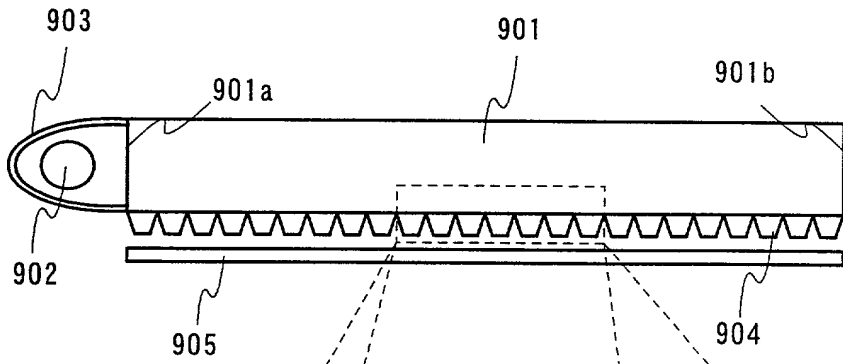


Fig.9B

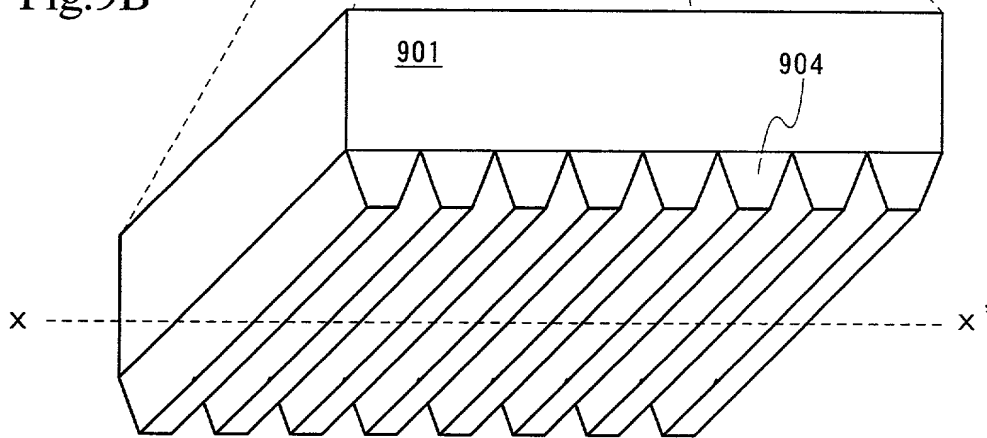


Fig.9C

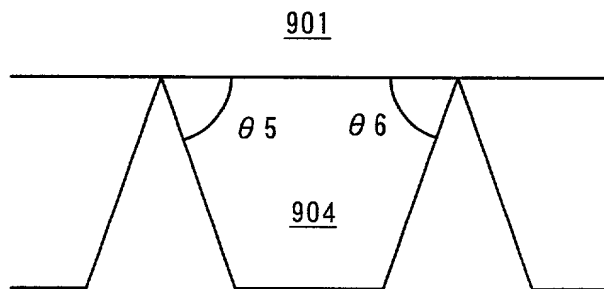


FIG. 10A

Fig.10A

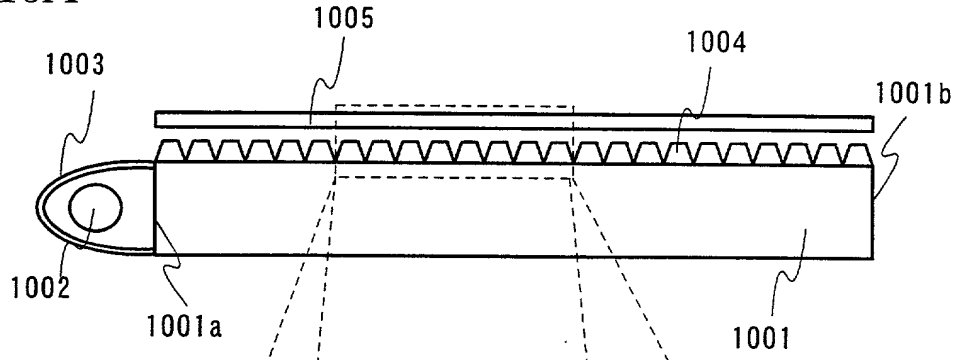


Fig.10B

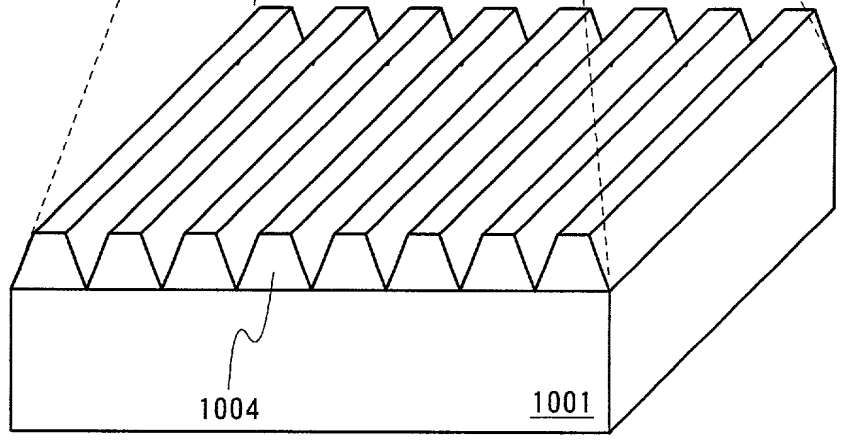


Fig.10C

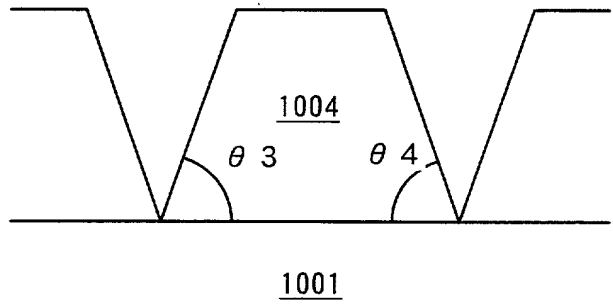


Fig.11A

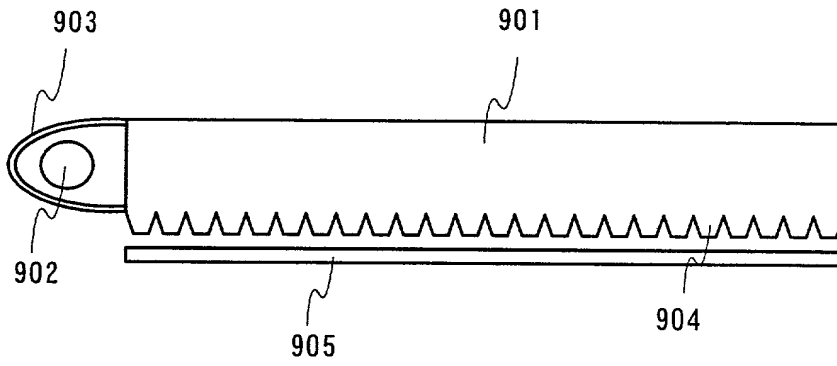


Fig.11B

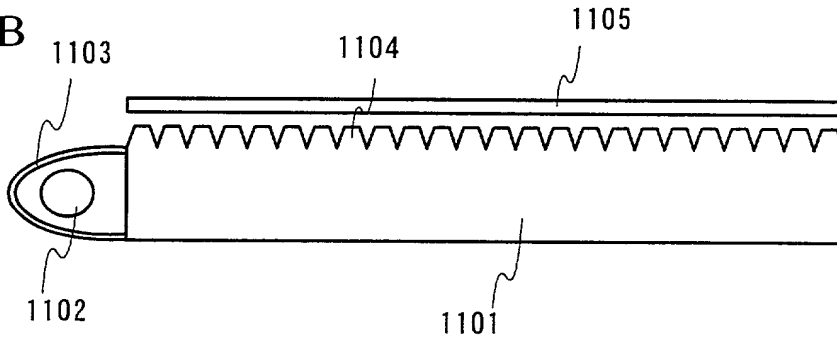


PHOTO "SOT" 2000

Fig.12A

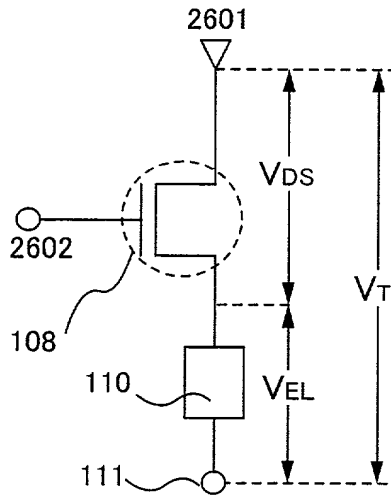


Fig.12B

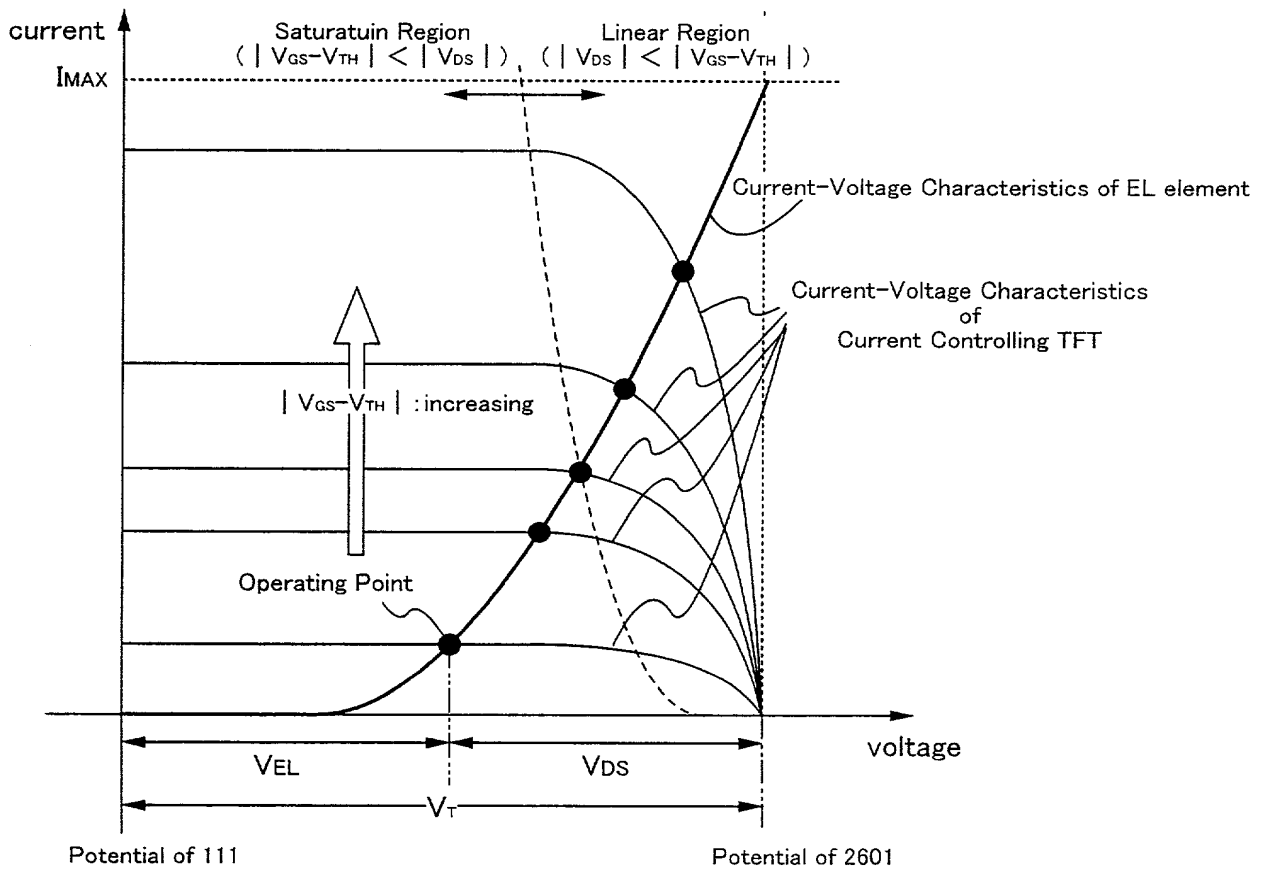
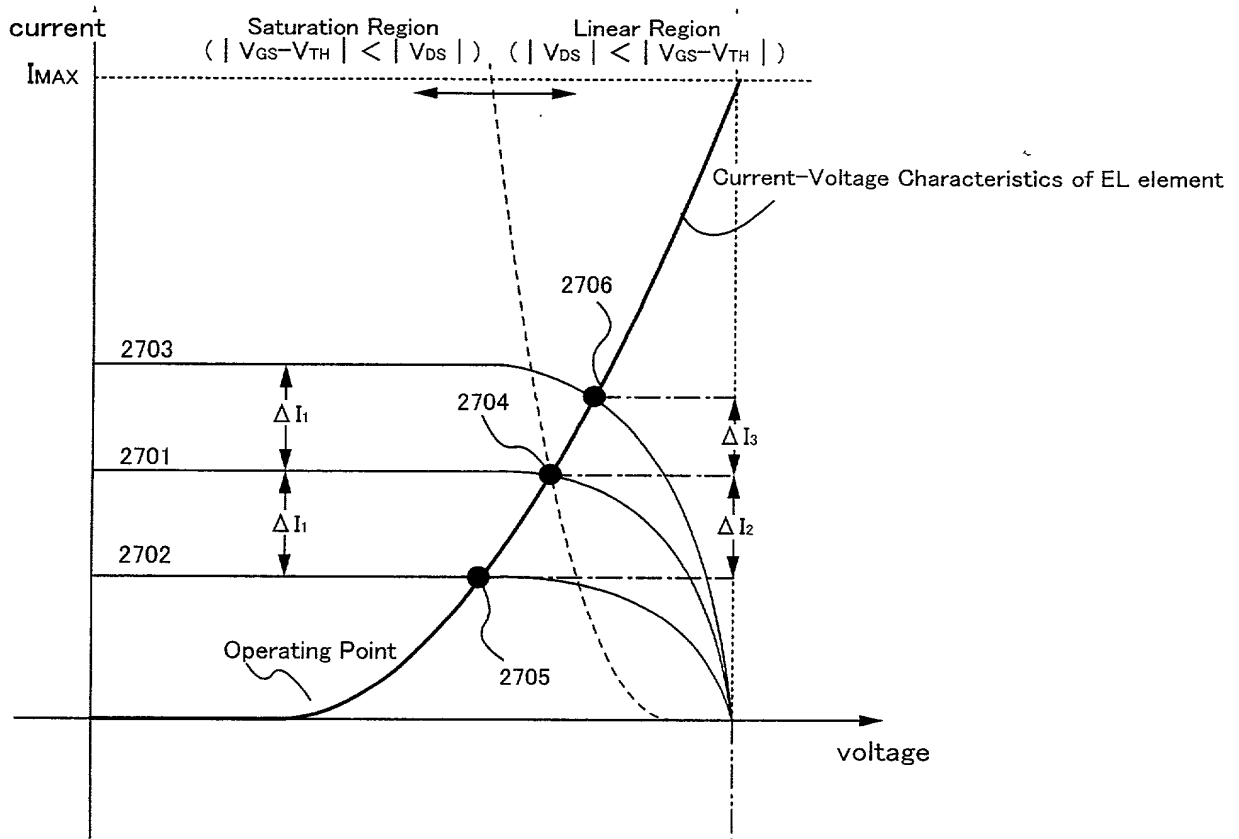


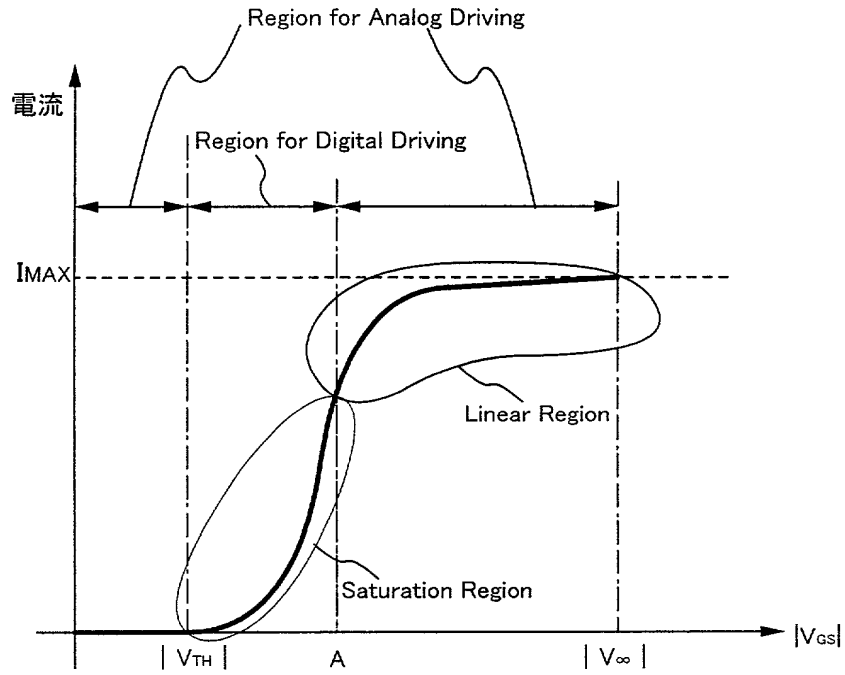
FIG. 12A

Fig.13



Copyright © 2000 by Intel Corporation

Fig.14



Copyright © 2001 Semiconductor Energy Laboratory Co., Ltd.

FOR PUBLICATION

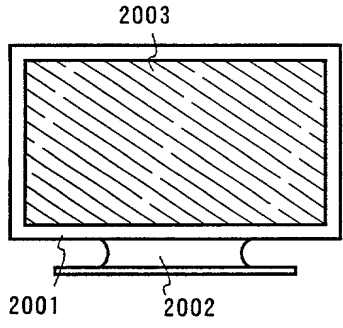


Fig. 15A

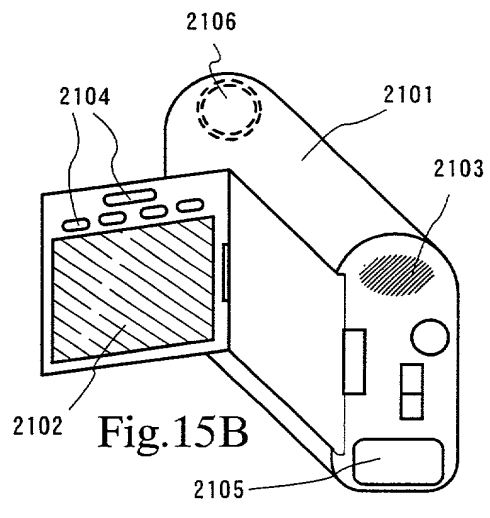


Fig. 15B

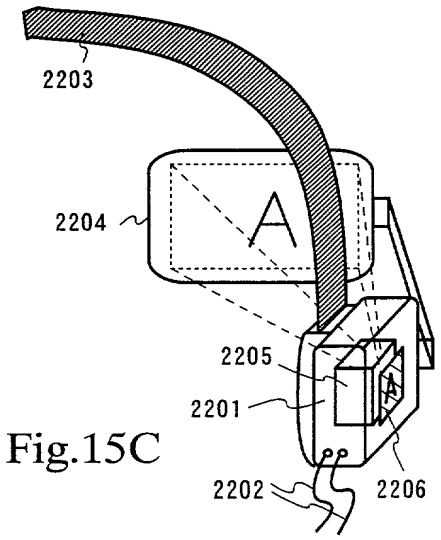


Fig. 15C

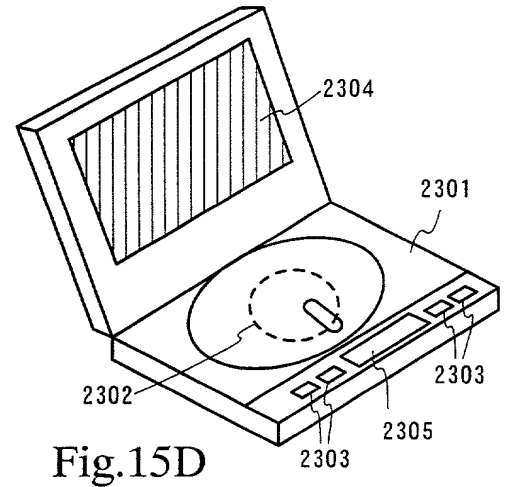


Fig. 15D

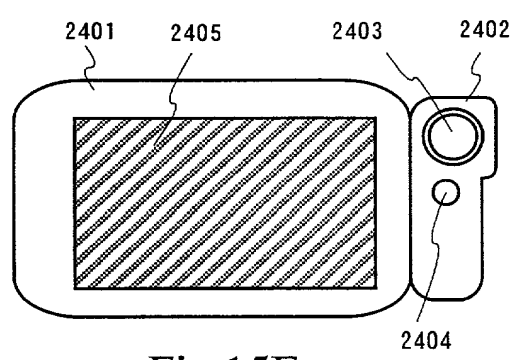


Fig. 15E

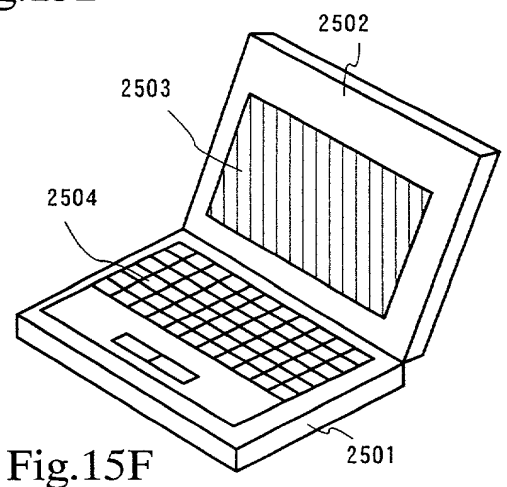


Fig. 15F



Fig.16A

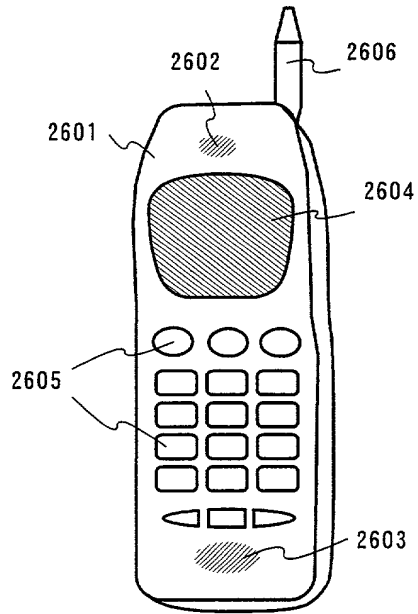


Fig.16B

